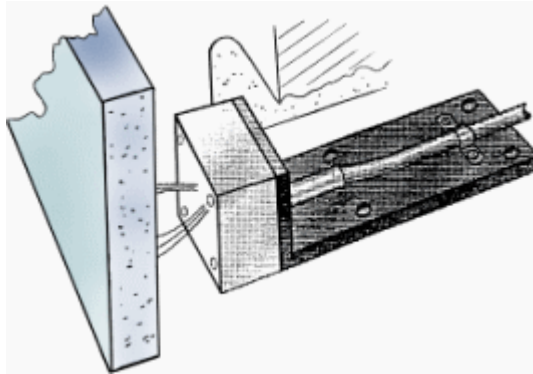


Induktive Initiator *Mi 250*



Inductive Initiator up to 482°F (250°C)



Mi 250 is a silicon free initiator. It is used in high temperature areas with up to 446°F / 230°C (short-time up to 482°F / 250°C). Sensor head and cable make a tuned circuit, and the capacity of the sensor cable is included.
Mi 250 is long life and easy to install.

Technical Data

	Model	switching distance [mm]	cable length [m]	order code
Mi 250	Mi 250-NJ15	15	3	321503
	Mi 250-NJ15		7	321507
	Mi 250-NJ15		10	321510
	Mi 250-NJ15		20	321520
	Mi 250-NJ20	20	3	322003
	Mi 250-NJ20		7	322007
	Mi 250-NJ20		10	322010
	Mi 250-NJ20		20	322020
	Mi 250-NJ25	25	3	322503
	Mi 250-NJ25		7	322507
	Mi 250-NJ25		10	322510
	accessories	Tuchel connector C164 for standard connection		
options	version 117 V AC			330001
	connector Brad Harrison			330002
	version V2A			330003
supply	+24 V DC 12 ... 30 V DC max. 70 mA – ripple max. 3 V			
sensor cable	teflon with external steel mesh protection			
component	Steel St37 with a size of min. 40 x 32 mm ; size of min. 60 x 60 mm (switching distance 25 mm)			
LEDs	LED illuminated when initiated			
operation temperature	sensor head: 32° ... 302°F / -15°C ... 230°C (short-time: 482°F / 250°C) electronic module: 32° ... 158°F / 0 ... 70°C			

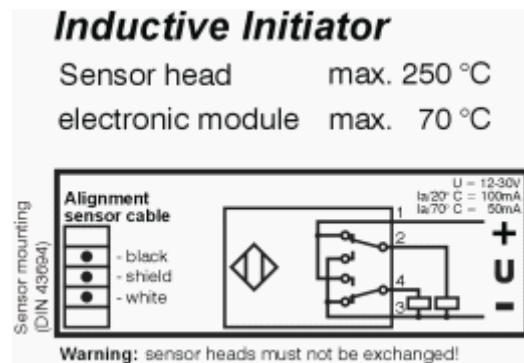
atmosphere	normal, non corrosive
humidity	up to 90%, non condensing
protection	electronic case IP 64
dimensions	sensor head: 40 x 40 x 112 mm electronic: 80 x 80 x 58 mm (drawings on the back)
weight	sensor head: 160 g electronic: 360 g (US version: 400 g) sensor cable 70 g/m
mounting distance	distance sensor-sensor: min. 30 mm distance sensor-metal: min. 15 mm

subject to alterations

Warning:

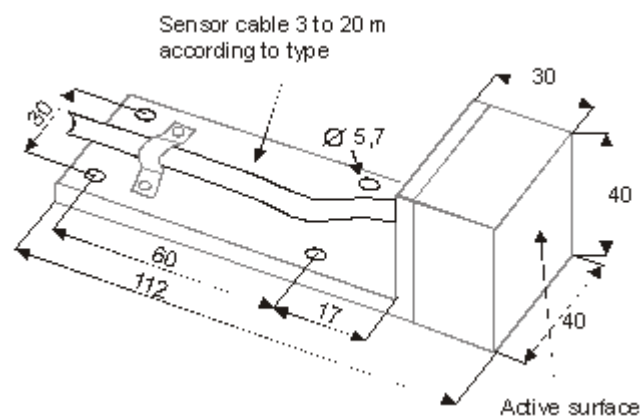
Cable can be disconnected for mounting purposes, length of delivered cable can not be changed!
Sensor head and electronic module are matched together, interchangeability is not guaranteed!
Cable is delivered with external steel mesh protection. Since the inside material is teflon, no sharp bending of permanent pressing may be applied!

Pin assignment:



Dimensions :

Sensorhead



Mi 250 can be attached to a metallic base with 4 screws at the fastening angle. The metallic base should be in line with the white teflon cover of the initiator.

Electronic module

